

PRODUCT DESCRIPTION

5N116

Serratura a chiave
Key lock

Materiali e finitura - Materials and finishing

Boccola e cilindro / Housing and cylinder

zama cromata lucida / zinc alloy bright chrome plated

Levetta / Cam

acciaio zincato / steel zinc plated

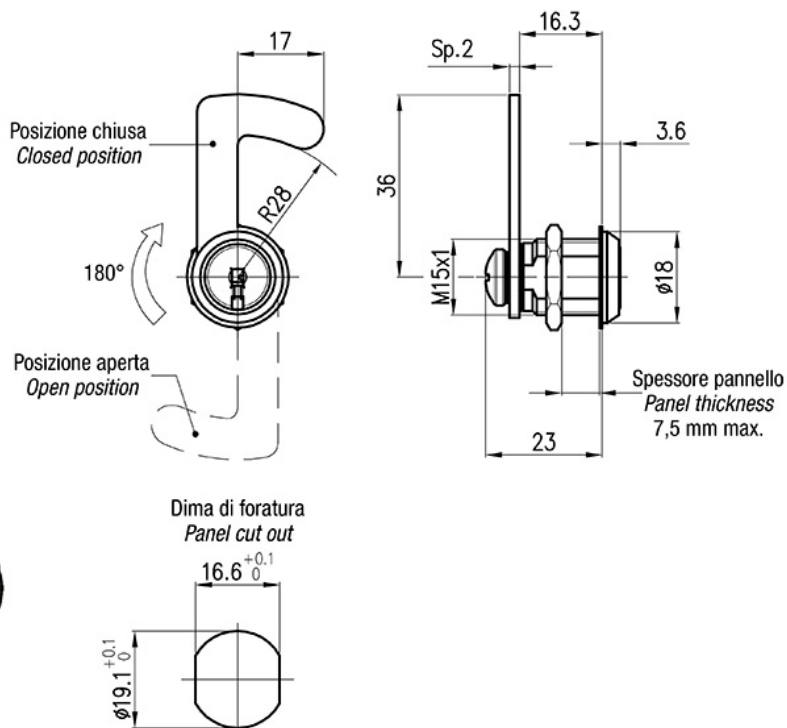
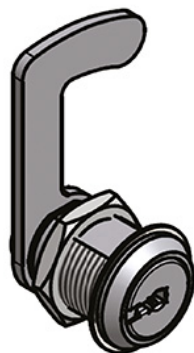
Levetta / Cam

inclusa / included

Chiavi in dotazione / Keys provided

2 chiavi nichelate, cifratura unica

2 keys nickel plated, keyed alike



Codice
Part Number

5N116