

PRODUCT DESCRIPTION

Serratura con chiave tubolare
Tubular key lock

C200B

Materiali e finitura - *Materials and finishing*

Boccola e cilindro / *Housing and cylinder*
zama cromata lucida / *zinc alloy bright chrome plated*

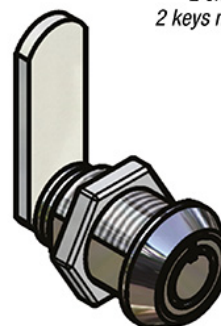
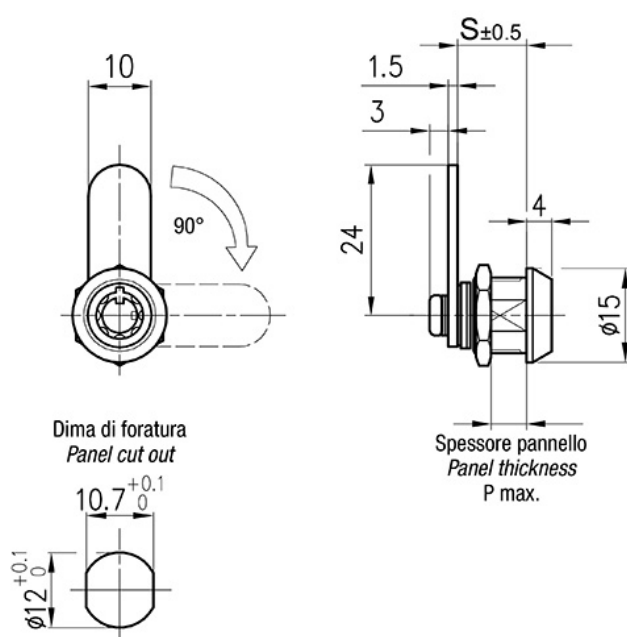
Levetta / *Cam*
acciaio zincato / *steel zinc plated*

Levetta / *Cam*

inclusa / *included*

Chiavi in dotazione / *Keys provided*

2 chiavi nichelate, 500 cifrature
2 keys nickel plated, 500 key codes



Codice Part Number	S ±0,5	P max.
C200BS	11	5
C200BL	12,9	6,5
C200BXL	16	8